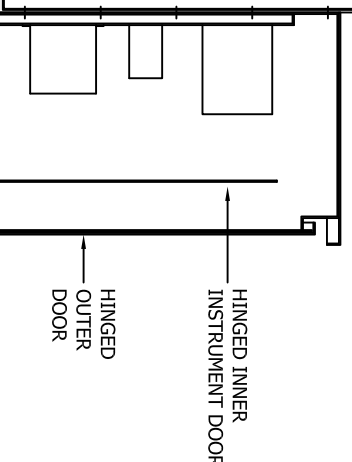
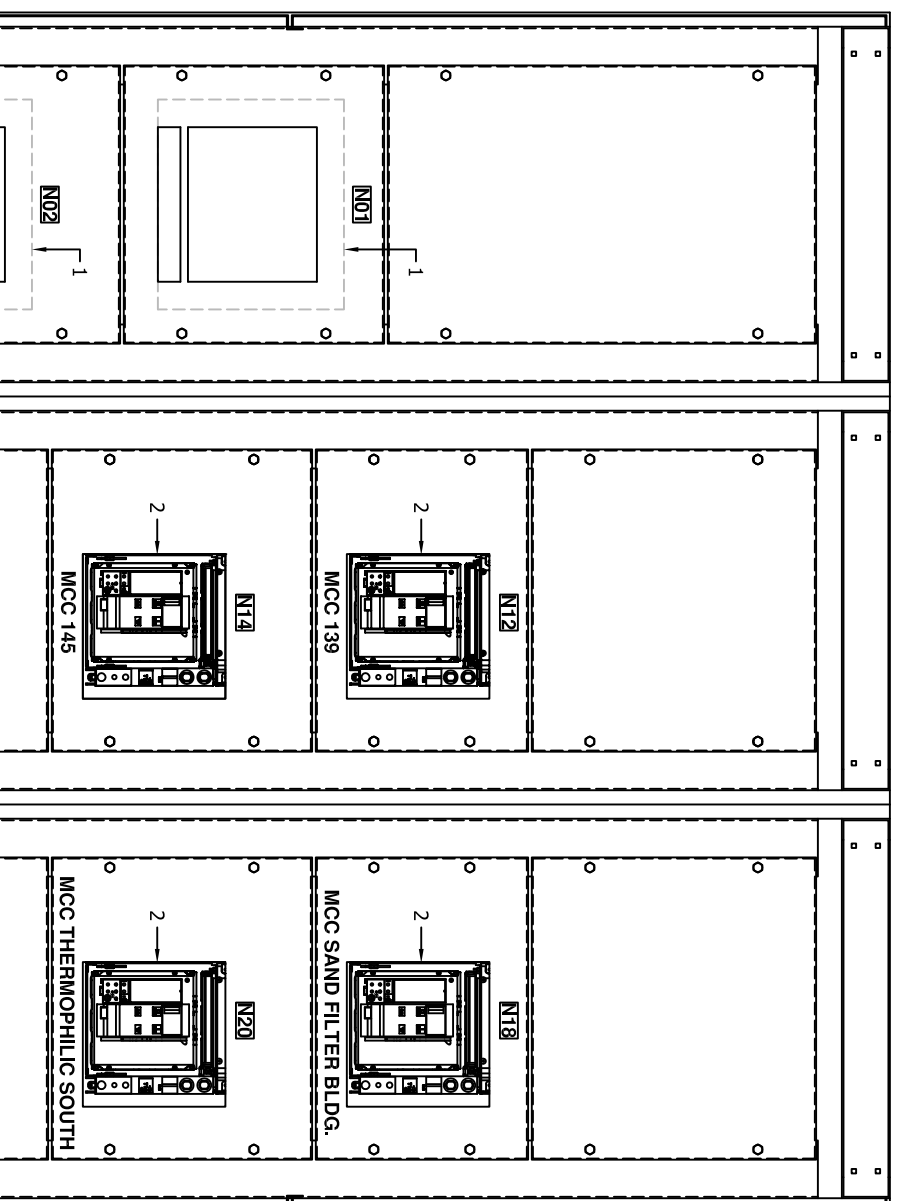


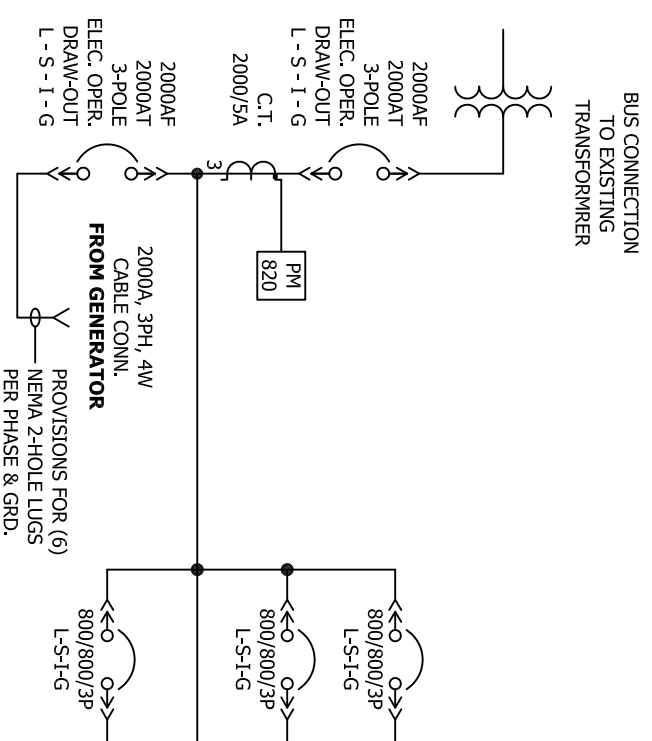
BILL OF MATERIAL

NO.	MFG.	QTY.	DESCRIPTION
1	SQ. D	2	MASTERPACT NW 2000AF/2000AT U.L. 489 3-POLE ELEC. OPER. DRAW-OUT TRANSFER BREAKER, 85KAIC, 120VAC CONTROL LONG TIME (L) - SHORT TIME (S) - INSTANTANEOUS (I) GROUND (G)
2	SQ. D	6	MASTERPACT NT 800AF/800AT U.L. 489 3-POLE ELEC. OPER. DRAW-OUT TRANSFER BREAKER, 85KAIC, 120VAC CONTROL LONG TIME (L) - SHORT TIME (S) - INSTANTANEOUS (I) GROUND(G)
3	BA5LER	2	DEV. 27 UNDERVOLTAGE RELAY
4	ELECTRO SWITCH	8	DEV. 52CS BREAKER CONTROL SWITCH w/ RED & GREEN L.E.D. INDICATING LIGHTS
5	AMER. SOL.	1	DEV. 43 AUTO/MANUAL SWITCH
6	STRUT. DUNN	1	DEV. 83 AUXILIARY TRANSFER RELAY
7	SQ. D	1	DEV. GRR AUXILIARY RELAY LATCH
8	CUTLER HAMMER ALLEN BRADLEY	4	120VAC PUSH-TO-TEST INDICATING LIGHTS (1) AMBER, (1) BLUE, (2) WHITE
9	BRADLEY	1	PROGRAMMABLE LOGIC CONTROLLER
10	G.E.	1	1500VA CONTROL POWER TRANSFORMER 480-120V CAT. #907TF1500D1
11	GRM.	6	250W 240V STRIP HEATERS OPER. @ 120VAC
12	SQUARE D	1	POWERLOGIC 820 DIGITAL METER
13	G.E.	3	CURRENT TRANSFORMER, 2000/5A

- NOTES:**
- 1) ALL DIMENSIONS IN INCHES, UNLESS OTHERWISE NOTED.
 - 2) NEMA-3R BOLTED CONSTRUCTION OF #10 & #12 GA. SHEET STEEL.
 - 3) UNIT FINISH: ANSI #61 LT. GRAY.
 - 4) (2) PCS. 4" X 1/4" COPPER BUS RATED AT 1000A/SQ. INCH CROSS SECTION.
 - 5) ALL UNITS TO MEET U.L. 891 SPECIFICATIONS.
 - 6) BUS TO BE BRACED FOR MIN. 65KAIC.
 - 7) ALL LINE CABLES SUPPLIED & TERMINATED BY CONTRACTOR.
 - 8) UNITS TO BE TOP LIFTABLE & ABLE TO SHIP SEPARATELY.
 - 9) **120VAC HEATER SOURCE TO BE SUPPLIED BY OTHERS.**
 - 10) MIMIC ON INSTR. DOOR TO BE BLACK.



INSTRUMENT DOOR DETAIL



SINGLE LINE

REV.	DATE	BY	CHANGES MADE
4			
3			
2			
1			

THIS DRAWING IS THE PROPERTY OF PENN PANEL & BOX CO. AND CONTAINS PROPRIETARY AND CONFIDENTIAL INFORMATION WHICH MAY NOT BE DUPLICATED, USED, OR DISTRIBUTED OTHER THAN AS EXPRESSLY AUTHORIZED BY PENN PANEL.

Penn Panel
A Better Power Connection & Box Company

Phone: 610-586-2700 Fax: 610-522-0380
P.O. Box 1458, Williams Ave., Collingdale, PA 19023-3468
www.pennpanel.com Email: info@pennpanel.com
Custom Designed Electric Power Equipment Since 1938

SOLD TO:

PROJECT/END-USER:

SCALE: N.T.S.

CUST. P.O.:

JOB DESCRIPTION:

DATE: 06-17-13	DRAWN BY: PRS	SHOP No.:	REV.:
STD. DWG.:	DWG. No.: 14557-FV2		

NEMA-3R 2000A 480V SECONDARY SWITCHBOARD w/ TRANSFORMER CONNECTION 3 PHASE, 3 WIRE